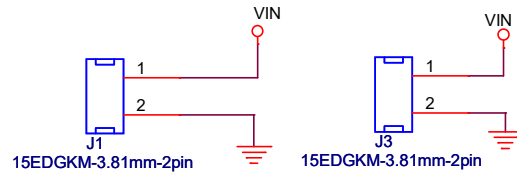
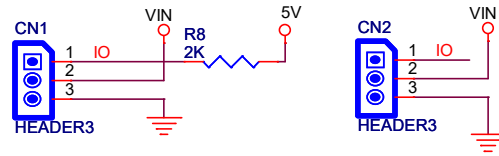


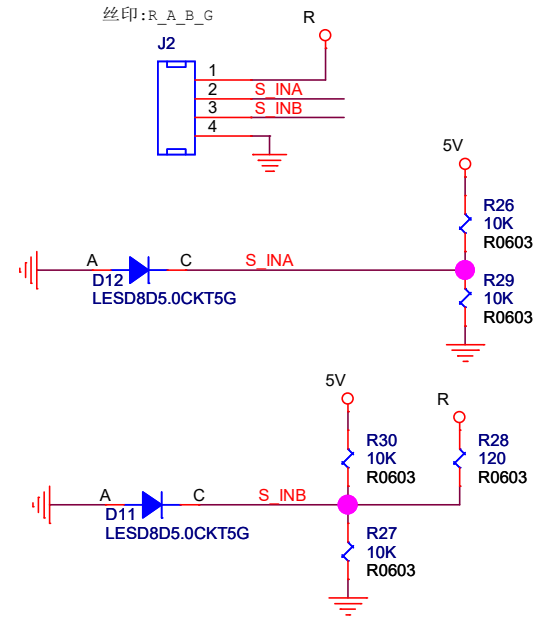
DC input



Servo



RS485



Title		<Title>
Size	Document Number	Rev
Custom	<Doc>	0.1
Date:	Tuesday, March 17, 2026	Sheet 1 of 1