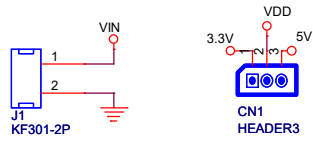
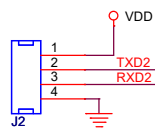


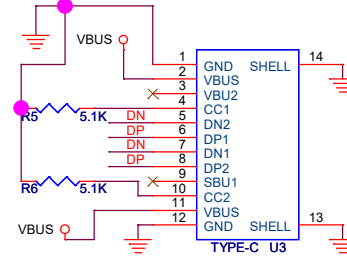
### DC input



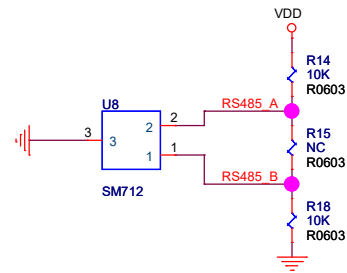
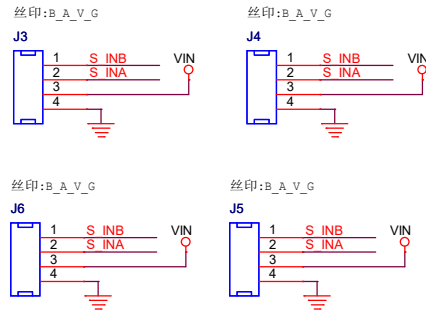
### TTL



### USB



### RS485



Title		
<Title>		
Size	Document Number	Rev
B	<Doc>	0.3
Date:	Tuesday, March 17, 2026	Sheet 1 of 1